

**Air & Allied Sales (Pacific) Pty Ltd**

23 Precision Street  
Salisbury QLD 4107

+617 3272 7999

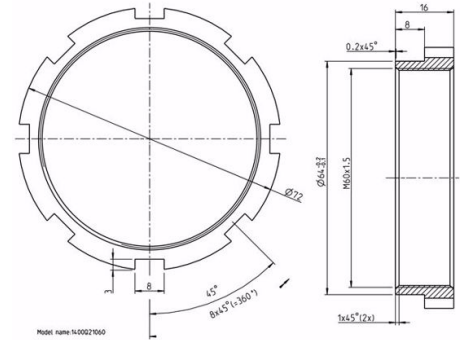
[sales@air-allied.com.au](mailto:sales@air-allied.com.au)



## Lock Nut M60x1.5 THIN neck for airjacks

Brand: **Krontec**

Product Code: **1400Q21060**



### Lock Nut M60x1.5 THIN neck for airjacks

Blue anodized lock ring to fit Krontec Professional Motorsport springless racing air jacks.

Note this lock THIN ring has an M60 x 1.5mm thread and dimensions can be seen in Technical Documents.

#### Specifications

Thread Size	M60 x 1.5mm
-------------	-------------

[www.air-allied.com.au](http://www.air-allied.com.au)

Data contained in this document is copyright of Air & Allied (Pacific) Sales Pty Ltd, and as such cannot be reproduced or redistributed, in part or whole, without the expressed permission of Air & Allied (Pacific) Sales Pty Ltd. Errors and Omissions Excepted.