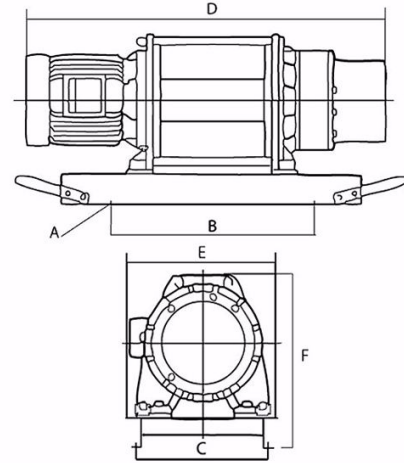


500kg 415v ELECTRIC WINCH

Product Code: **CWG30151**



500kg 415v ELECTRIC WINCH

This ComeUp CWG-30151 Electric Winch is precision engineered and constructed from heavy duty material which creates a high performance product with low maintenance; suited for a wide range of applications.

Comeup Electric Winches come in various sizes and lifting capacities. The electric winches feature the CP, CWG and CWL ranges.

Features:

- * Lightweight and compact design for easy installation and portable use.
- * Electromagnetic spring-applied failsafe brake designed for both static and dynamic loading which applies automatically in the event of power loss.
- * IP65 pendant control.
- * 24V x 3 meter push button control supplied as standard with all CP and CWG models.
- * 240V x 10 meter direct online control pendant as standard with CWL models.
- * Compact load sharing design of the heat-treated planetary gear which ensures quiet operation and long life.
- * Emergency stop function switch is featured on all models.
- * Heavy duty high efficiency ball bearing on all running surfaces.
- * Planetary gears for maximum mechanical efficiency.
- * Enclosed drum flange to prevent rope becoming trapped between drum and support castings.
- * Cast steel foot mountings.
- * Fabricated steel drum.
- * Supplied on steel base plate ready to mount.

Specifications

Dimension A	4 - Ø16 mm
Dimension B	400 mm
Dimension C	325 mm
Dimension D	922 mm
Dimension E	367 mm
Dimension F	425 mm

- * Quiet running.
- * Optional cordless radio remote control available on request.
- * Low voltage control ass'y is available upon request.

Specifications:

- * Lifting capacity: 500 kg at wire rope top layer
- * Lifting speed: 12 - 18 m/min
- * Power source: 3 phase, 415V
- * Motor rating IP44: 1.5 kw x 4 poles induction brake motor
- * Gear ratio: 57:1
- * Maximum lifting height: 58 m
- * Braking methods: Electromagnetic
- * Wire rope: 9 mm x 60 m
- * Drum length: 240 mm
- * Drum dia.: 140 mm
- * Drum flange dia.: 280 mm
- * Mounting bolts pattern: 400 mm x 325 mm
- * Net weight (standard version): 125 kg
- * Gross weight: 150 kg

Attachments

- [ComeUp Electric Winch Operation Manual_881945-03](#)
- [CWG30151 Electric Winch Parts Sheet](#)