

**Air & Allied Sales (Pacific) Pty Ltd**

1/50 Success St  
Acacia Ridge QLD 4110

+617 3272 7999

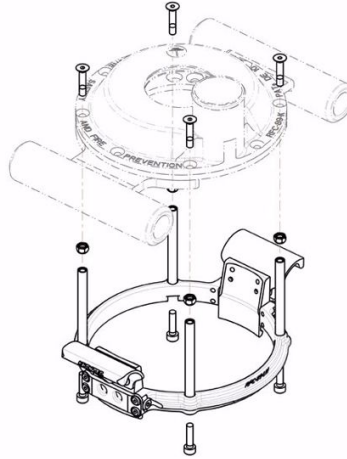
[sales@air-allied.com.au](mailto:sales@air-allied.com.au)



## ENDURANCE UPGRADE RFC-88-K & RFC-89-K

Brand: **Krontec**

Product Code: **RFC-89-K-LM-KIT**



### ENDURANCE UPGRADE RFC-88-K & RFC-89-K

This is the Upgrade KIT to make the standard RFC-88-K and RFC-89-K refuelling coupler have the feature of the "Endurance" Version whereby it has the "LM" Lock mechanism to aid in the reduction of force required to retain connection when refuelling.

See the video explaining the lock mechanism below.

ALSO Please note this part is used for the "Standard" handle configuration. If you have the "XT" Extended handles on the refuelling coupler, you will need the part# RFC-89-K-LM-XT-KIT, as this part RFC-89-K-LM-KIT is made to suit the Standard handle configuration.

#### Attachments

[Krontec Lock Mechanism for Standard Handle - ENDURANCE UPGRADE RFC-88-K & RFC-89-K Customer Information](#)  
[Krontec RFC-89 Manual 11\\_22 REV-01](#)

[www.air-allied.com.au](http://www.air-allied.com.au)

Data contained in this document is copyright of Air & Allied (Pacific) Sales Pty Ltd, and as such cannot be reproduced or redistributed, in part or whole, without the expressed permission of Air & Allied (Pacific) Sales Pty Ltd. Errors and Omissions Excepted.