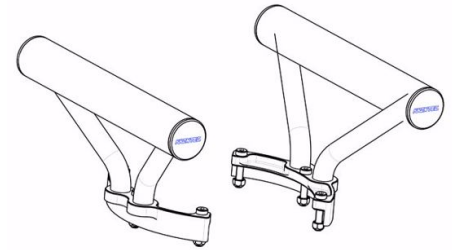
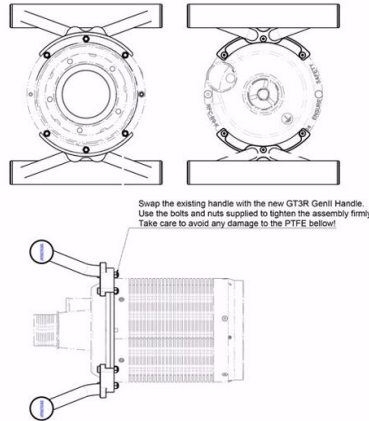


## KRONTEC RFC-89-K EXTENDED HANDLE KIT

Brand: **Krontec**

Product Code: **RFC-89-K-XT-HANDLE-K**



### KRONTEC RFC-89-K EXTENDED HANDLE KIT

This is the Handle Kit for all RFC-88 and RFC-89 refuelling couplers, and allows you to convert your existing coupler with standard handles to fit the latest Porsche GT3R GENII vehicles where you have to be able to get into the bonnet nipple (receiver) that sits on an angle.

You get 2 x Grip assemblies, 6 bolts and 6 nuts to be able to retro fit the assembly, every part you need is included!

Refer to the image.

#### Attachments

[Krontec RFC-89 Manual 11\\_22 REV-01](#)