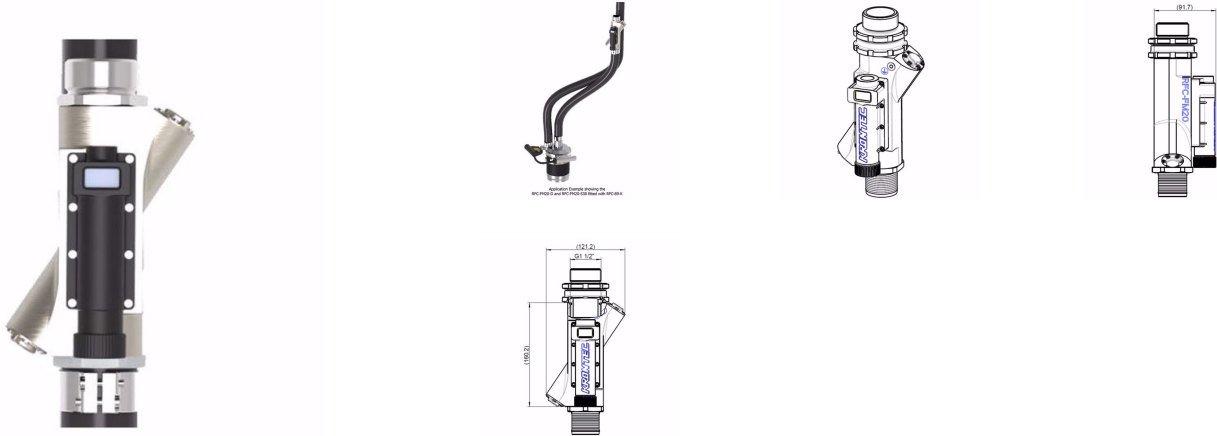


KRONTEC ULTRASONIC FLOW MEASURING SENSOR

Brand: **Krontec**

Product Code: **RFC-FM20-S38**



KRONTEC ULTRASONIC FLOW MEASURING SENSOR

Krontec Professional Ultrasonic Flow Meter Unit.

Match this unit with the Krontec RFC-FM20-D Display unit.

- * Powerful intelligent LCD-TFT display:
- * 0.9" TFT LCD
- * 80 x 160 Resolution
- * Full colour images, animations, and icons
- * 4Mbit (512kb) of Flash memory

Piezoelectric switch-on:

- * Anodized aluminium case
- * Vibration resistance

Charge via USB micro-B

Attachments

[Krontec RFC-FM-20 Manual_Rev_00](#)