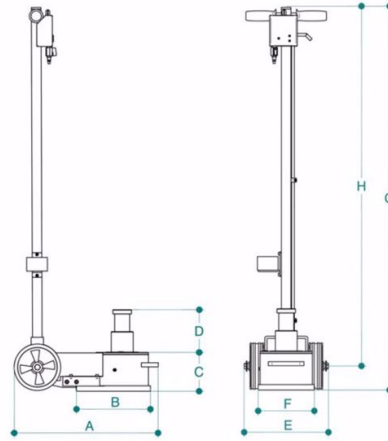


40/20 T INDUSTRIAL AIR HYDRAULIC JACK

Brand: **Cattini**

Product Code: **YAK215N**



40/20 T INDUSTRIAL AIR HYDRAULIC JACK

40/20 Tonne 2 stage Air hydraulic jack for heavy vehicles, practical and easy to handle. The jack lifts up to 40 tonne on the first stage and then up to 20 tonne on the second stage. Comes with two extensions (1 x 70mm & 1 x 120mm) and top cap when you purchase the unit.

The unit features a low head room height of 150mm to get into the tightest of spaces and hydraulic lift height of 150mm. Optional accessories available to fit various lifting application requirements.

The pistons move back automatically; the two descent valves guarantee perfect holding in all situations and controlled speed under load. Ideal for workshops, mobile workshops, tyre repairers and bodywork shops.

This is one we recommend as it is made in Italy, and is fully supported and lasts! Beware of inferior copies as they are NOT the same as this jack. We promote this product to all of our Industrial clients as it has proven durability and most importantly, reliability.

Specifications

Closed Height	150 mm (5.9")
Dimension A	525 mm (20.7")
Dimension B	270 mm (10.6")
Dimension C	150 mm (5.9")
Dimension D	150 mm (5.9")
Dimension E	300 mm (11.8")
Dimension F	206 mm (8.1")
Dimension G	1,400 mm (55.1")
Dimension H	1,320 mm (52")
Lifting Capacity	First Stage: 40 tonne Second Stage: 20 tonne
No. of Pistons	2
Standard Accessories	1 x 70mm extension, 1 x 120mm extension & 15mm Top Cap
	Combined: 150 mm (5.9") First

Stroke	Stage: 72 mm (2.8") Second Stage: 78 mm (3.1")
Weight	39 kg
Working Pressure	8 - 12 bar (116 - 174 psi)