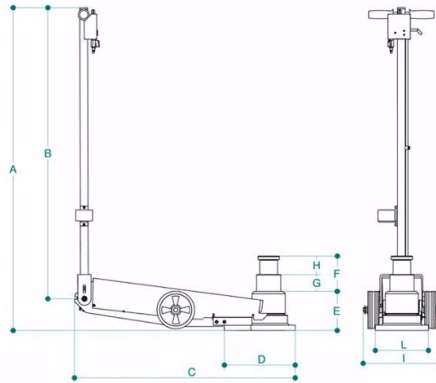


60/30 T INDUSTRIAL AIR HYDRAULIC JACK

Brand: **Cattini**

Product Code: **YAK218N**



60/30 T INDUSTRIAL AIR HYDRAULIC JACK

60/30 Tonne 2 stage Air hydraulic jack for heavy vehicles, practical and easy to handle. The jack lifts up to 60 tonne on the first stage and then up to 30 tonne on the second stage. Comes with two extensions (1 x 70mm & 1 x 120mm) and top cap when you purchase the unit.

The unit features a low head room height of 180mm to get into the tightest of spaces! Optional accessories available to fit various lifting application requirements.

The pistons move back automatically; the two descent valves guarantee perfect holding in all situations and controlled speed under load. Ideal for workshops, mobile workshops, tyre repairers and bodywork shops.

This is one we recommend as it is made in Italy, and is fully supported and lasts! Beware of inferior copies as they are NOT the same as this jack. We promote this product to all of our Industrial clients as it has proven durability and most importantly, reliability.

Specifications

Closed Height	180 mm (7.1")
Dimension A	1,430 mm (56.3")
Dimension B	1,320 mm (52")
Dimension C	1,000 mm (39.4")
Dimension D	320 mm (12.6")
Dimension E	180 mm (7.1")
Dimension F	160 mm (6.3")
Dimension G	75 mm (3")
Dimension H	85 mm (3.3")
Dimension I	350 mm (13.8")
Dimension L	240 mm (9.4")
Lifting Capacity	First Stage: 60 tonne Second Stage: 30 tonne
No. of Pistons	2

Standard Accessories	1 x 70mm extension, 1 x 120mm extension & 15mm Top Cap
Stroke	Combined: 160 mm (6.3") First Stage: 75 mm (3") Second Stage: 85 mm (3.3")
Weight	68 kg
Working Pressure	8 - 10 bar (116 - 145 psi)